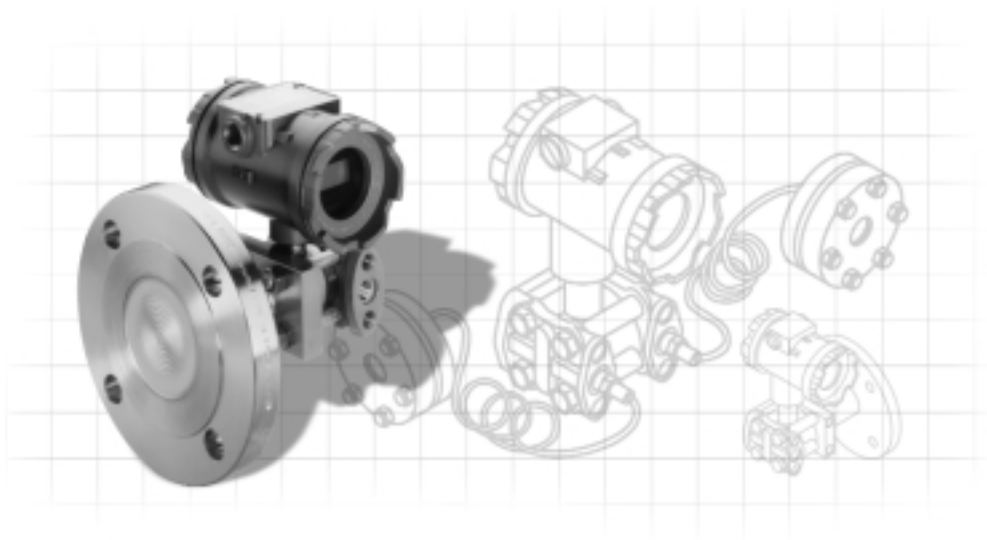




Precision Measurement and Specialty Sensor Technology



Contact → **Information**

MycroSENSOR Technologies
2362 West Shangri La Road
Phoenix, AZ 85029
U.S.A.

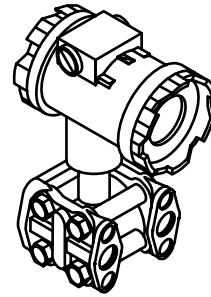
Toll Free: 1.866.369.9086
www.mycrosensor.com
email: info@mycrosensor.com

MycroSENSOR Technologies capitalizes upon the unique features of the XTC products to provide a wide array of options for level measurement and control. They provide precision measurement and safe operations in a wide array of environments, thereby accommodating most level measurement applications.

MODELS

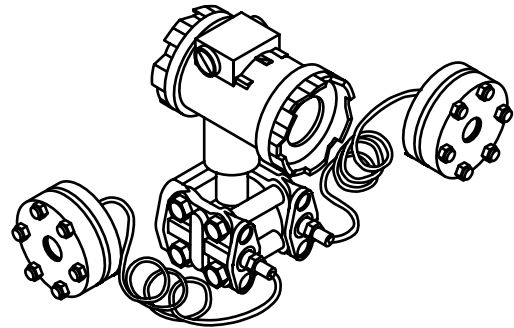
Model 330D, 340D Differential Pressure

- ▶ Spans from 0.2" H₂O to 450 PSID (0.05 to 3100 KPA)
- ▶ Standard Hastelloy-C diaphragms and 316SS wetted parts (Ranges D & F)
- ▶ 1/4" NPTF or 1/2" NPTF process connection
- ▶ Suitable for DP, level, and flow applications



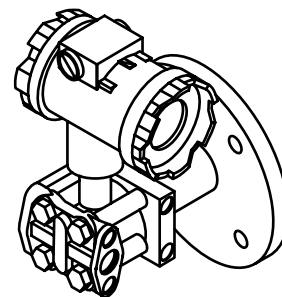
Model 330D & 340D with Remote Diaphragm Seals

- ▶ Available in various materials and process connections including threaded, flanged, weld-in, and sanitary



Model 330F & 340F Flanged Level

- ▶ 10" H₂O to 450 PSI (2.5 to 3100 KPA)
- ▶ Standard 316SS diaphragms and wetted parts
- ▶ Standard ANSI and DIN flanges
- ▶ Suitable for level and flanged pressure applications



Model 330P & 340P Flush Mounted Gauge Pressure

- ▶ Suitable for cost-effective level measurement in open tanks
- ▶ 0 - 830" and 0 - 150 psi ranges available

SPECIFICATIONS

PERFORMANCE SPECIFICATIONS

Reference conditions: Zero-based, positive spans, ambient temperature 23°C, D/A trim values equal to span end points, Silicone fill, standard diaphragms, 1 second damping.

Accuracy^{1,2}

Analog Output

Range A:

±0.1% of calibrated span for spans from 1:1 to 2:1 of URL

±(0.075 + 0.013[URL/Span]) % of calibrated span for spans from 2:1 to 25:1 of URL

Range B:

± 0.075% of calibrated span for spans from 1:1 to 2.5:1 of URL

± (0.043 + 0.0128 [URL/span]) % of calibrated span for spans from 2.5:1 to 20:1 of URL

Range D,F,G:

±0.075% of calibrated span for spans from 1:1 to 10:1 of URL

±(0.028 + 0.0047 [URL/span]) % calibrated span for spans from 10:1 to 45:1 of URL

Digital Output

Range D,F,G:

± 0.0625% of calibrated span for spans from 1:1 to 10:1 of URL

± (0.0155 + 0.0047 [URL/span]) % calibrated span for spans from 10:1 to 45:1 of URL

Ambient Temperature Effect

Models 330D, 340D, 330P, 340P

Ranges A-B:

±(0.175% URL + 0.075% span) per 28°C (50°F)

Ranges D-G:

±(0.075% URL + 0.075% span) per 28°C (50°F)

Model 340F

Ranges D-F²:

±(0.075% URL + 0.075% span + 1.5" H₂O) per 28° C (50°F)

Temperature Limits

Sensor Assembly³:

Silicon: -40 to 125°C (-40 to 257°F)

Inert Fill: 0 to 85°C (32 to 185°F)

Paratherm: -20 to 125°C (-4 to 257°F)

Electronics: -40 to 85°C (-40 to 185°F)

340P Sensor Limits:

All fill fluids: 0-85°C (32 to 185°F)

Stability

Zero Stability:

Range A: ±0.1% of URL for 12 months

Ranges B-G: ±0.03% of URL for 36 months

Span Stability: No Measurable Span Drift

Humidity

0-100% relative humidity, non-condensing

Vibration Effect

Less than ±0.05% of maximum span per G for 0 to 60 Hz in any axis up to 2 Gs max.

Power Supply Effect

Less than 0.005% of output span per volt

EMI/RFI Susceptibility

Less than 0.25% of max. span at 30 V/m, 30 MHz - 1 GHz

ESD Susceptibility

IEC severity level 4, 15 kV

Static Pressure Effect (340D)

Range Span Error Correctable To:⁴

B 0.2% per 100psi

D 0.2% per 1000psi

F 0.2% per 1000psi

NOTES:

- (1) Accuracy includes the effects of linearity, hysteresis and repeatability.
- (2) Specifications for 3" & 4" flange size only. For smaller flange sizes, consult MycroSENSOR.
- (3) Limit to 85°C (185°F) in vacuum service.
- (4) Zero effect eliminated at operating pressure.

Specifications subject to change without notice.

FUNCTIONAL SPECIFICATIONS

**Range and Sensor Limits
Model 330/340D, 330/340F, 330/340P**

Range	330/340D, 330/340F	330/340P	LRL/URL		
	Min. Span	Min. Span	330/340D	330/340F	330/340P
A	0.20" (.05KPA)		-2/5" (5/1.25KPA)	NA	NA
B	0.75" (0.185KPA)		-15/15" (-3.7/3.7KPA)	NA	NA
D	10" (2.5KPA)	1psi(6.9 KPA)	-450/450" (-112.5/112.5KPA)	-450/450" (-112.5/112.5KPA)	-14.7/30 psig (-101/206.84 KPA)
F	12.6psi (87KPA)	10psi(6.95 KPA)	-150/450psi (-689/3100KPA)	-150/450psi (-689/3100KPA)	-14.7/150 psig (-101/1034 KPA)

Zero Elevation and Suppression

The range may be set anywhere between the LRL and URL of the transmitter, as long as the calibrated span does not exceed the minimum allowable span (see Range table). Zero and span in the XTC are non-interactive.

Electronic Damping (Digital Filter)

Adjustable between 0 and 30 seconds

Transmitter Outputs

Each transmitter has:

1. Analog, Two-Wire 4-20mA
2. Digital, HART Communications
3. Optional Transient Suppressor

Power Supply Requirements

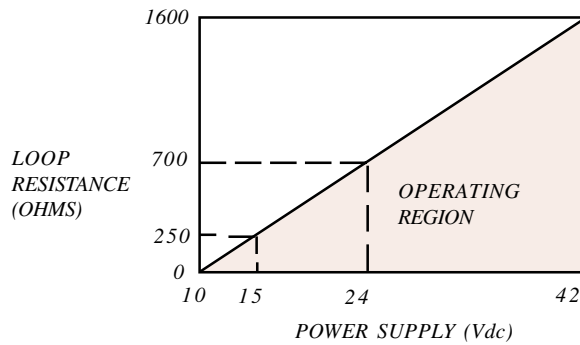
Minimum Terminal to Terminal Compliance

Voltage: +10 Vdc

Maximum Terminal to Terminal Voltage: +42 Vdc

Maximum Load: $RL = 50 * (\text{Supply Voltage})$

- 500 Ohms¹



Maximum Working Pressure²

Range	330/340D	330/340F	330/340P
A	+/-60 psi ³ (+/-413KPA)	NA	NA
B	+/-100 psi ³ (+/-689KPA)	NA	NA
D	+/-4000 psi (+/-27.6MPA)	Per Flange	Per Flange
F	+/-4000 psi (+/-27.6MPA)	Per Flange	Per Flange

NOTES:

(1) To ensure digital communications, HART requires the loop resistance to remain between 250 and 1100 Ohms. HART also imposes the following requirements on the loop power supply:

- Ripple: 0.2 Vp-p, 47-125 Hz
- Noise: 0.6 mV RMS maximum
- Impedance: 10 Ohms maximum

(2) The Maximum Working Pressure (MWP) is defined as the maximum pressure which can be applied to the cell without damage, static or otherwise.

(3) 340D Range A and Range B sensors have a body rating of +/- 4000 psi; however, no over pressure protection is employed in these units thereby limiting the MWP to +/- 100 psi.

Flange Rating

Standard	Class	Carbon Steel Rating	Stainless Steel Rating
ANSI	150#	285 psi ¹	275 psi ¹
ANSI	300#	740 psi ¹	720 psi ¹
DIN	PN 10/16	16 bar ²	16 bar ²
DIN	PN 25/40	40 bar ²	40 bar ²

**Surge Protection
(with optional Transient Suppressor)**

Maximum clamping voltage (either loop terminal to enclosure)
 DC: 68V
 100 kV per microsecond AC surge: 70V peak
 1000 kV per microsecond AC surge: 120V peak
 Transient Surge current
 Up to 5000 amp for 20 microseconds, repeated strikes
 Turn-On Time
 The transmitter will begin operating within 5 seconds after power is applied. The transmitter will perform within specifications within 60 seconds after power is applied.

Local Indication

Optional 4 1/2 Digit SmartDisplay

MECHANICAL SPECIFICATIONS

Dimensions

See Installation Drawings (Pages 97-99)

Weight³

340D 7 lbs
 340F 20 lbs

Electronics Housing

Epoxy Powder Coated, Low Copper Cast
 Aluminum
 316 SS (optional)
 NEMA 4X/6P (IP66/68)
 (2) 1/2" -14 NPTF Electrical Conduit
 Entrances (M20 x 1.5 optional)

Process Wetted Parts

Various Materials Available
 NACE MR0175 compliant with options as noted in the model number breakdown.

Process Connections

Model 340A/G⁵
 (1) 1/2" NPTF, no vent/drain (External block and bleed may be purchased separately)
 Model 340D
 (2) 1/4" NPTF with vent/drains
 (1/2" NPTF with optional process adapters)
 Model 340F
 High Pressure Side: Per flange size and rating selected
 Low Pressure Side: 1/4" NPTF with vent/drain
 (1/2" NPTF with process adapter provided)

Hazardous Area Classification/Approvals⁴

FM/CSA Approval:
 Intrinsically Safe:
 Class I, Div. 1, Groups A, B, C, & D
 Class II, Div. 1, Groups E, F, & G
 Class III, Div. 1
 Explosion Proof:
 Class I, Div. 1, Groups B, C, & D
 Class II, Div. 1, Groups E, F, & G
 Class III, Div. 1
 Non-Incendive:
 Class I, Div. 2, Groups A, B, C, & D
 American Bureau of Shipping (ABS) Type
 Approval per 2002 steel vessel rules 4-9-2/11.3

NOTES:

- (1) At 100°F (38°C), the rating decreases with increasing temperature.
- (2) At 120°C, the rating decreases with increasing temperature.
- (3) Weights approximate.
- (4) Consult MycroSENSOR for information on additional approvals.

Differential Pressure

330D Differential Pressure Transmitter

Input Range: Span Limits, Min/Max

- A 0.2/5 "H₂O (0.05/1.25 KPA)¹⁰ (Remote seals not available with this range.)
- B 0.75/15 "H₂O (0.185/3.7 KPA)² (Matched remote seals only with this range.)
- D 10/450 "H₂O (2.5/112.5 KPA)²
- F 12.6/450 psi (87/3100 KPA)²

Output

- B 4-20 mA_{dc} with HART Protocol^{1,2}
- C 4-20 mA_{dc} with HART Protocol & Integral Transient Suppressor
- D Spare Capsule

Process Diaphragm

- H Hastelloy C-276^{2,3,8,11}
- S 316L SS^{2,7}
- A Hastelloy C-276 with 2 Remote Seals^{9,11}
- B Hastelloy C-276 with 1 Remote Seal on high side^{9,12}
- C Hastelloy C-276 with 1 Remote Seal on low side^{9,12}

Body Parts

	Wetted	Vent/Drain	Process Conn.
AA	316SS	End	1/2 NPT ^{1,2}
AB	316SS	Side (top)	1/2 NPT
AC	316SS	Side (bottom)	1/2 NPT
AD	316SS	Side (dual)	1/2 NPT
AE	316SS	End	1/4 NPT
AF	316SS	Side (top)	1/4 NPT
AG	316SS	Side (bottom)	1/4 NPT
AH	316SS	Side (dual)	1/4 NPT
BA	Hastelloy C-276	End	1/2 NPT
BB	Hastelloy C-276	Side (top)	1/2 NPT
BC	Hastelloy C-276	Side (bottom)	1/2 NPT
BD	Hastelloy C-276	Side (dual)	1/2 NPT
BE	Hastelloy C-276	End	1/4 NPT
BF	Hastelloy C-276	Side (top)	1/4 NPT
BG	Hastelloy C-276	Side (bottom)	1/4 NPT
BH	Hastelloy C-276	Side (dual)	1/4 NPT
RR	Remote Seals		

Fill Fluid

- B Silicone DC200^{1,2}
- C Inert¹¹
- D Paratherm¹¹

Output Indicator

- 5 4-1/2 Digit Digital SmartDisplay²
- N Not Required⁵

Standard Options

- D B7M Bolts³
- E B8M Bolts¹⁷
- X Oxygen Cleaned¹⁹
- Y Special Features⁴
- N Not Required^{2,5}

Mounting Bracket

- 1 2" Pipe Mount Bracket with SS Hardware²
- 2 Universal Bracket
- 3 2" Pipe Mount 316SS Bracket
- N Not Required⁵

Housing

- 1 Aluminum 1/2" - 14 NPT^{1,2}
- 2 Aluminum M20 x 1.5⁶
- 3 316 SS 1/2" - 14 NPT
- 4 316 SS M20 x 1.5⁶
- N Not Required⁵

Hazardous Area Classification

- 2 CSA/CRN
- 3 FM/CSA All^{1,2}
- N Non-Approved
- W FM/CSA All & ABS¹⁸ Type Approval

NOTES:

- (1) Standard for all ranges.
- (2) Stock Model Selection.
- (3) NACE MR0175 compliance requires this option.
- (4) Please describe the modification or provide a quotation reference number.
- (5) Required selection for OUTPUT option "D", direct connection to the MycroSENSOR 348.
- (6) Not available with FM/CSA approvals.
- (7) Standard on Input Ranges A & B.
- (8) Standard on Input Ranges D & F.
- (9) Must specify Body Parts code "RR".
- (10) Must select Body Parts "AA".
- (11) Not available with Input Range "A".
- (12) Not available with Input Range "A" or "B".
- (13) Available with Body Parts "TD" or "TE" only.
- (14) CENELEC EExd & SAA units are only available with OUTPUT code "B".
- (15) 2" flanges not available with extended diaphragms
- (16) 3" and 4" flanges with an extension will fit into Schedule 80 and larger i.d. pipes.
- (17) B8M (316SS) bolting may have a reduced pressure rating. Consult MycroSENSOR for information.
- (18) ABS - American Bureau of Shipping
- (19) Oxygen Cleaned Option requires Inert Fill Fluid

330D D B H AA B 5 N 1 1 3 Sample Model Number

Flanged Level

330F **Flanged Level Transmitter**

Input Range: Span Limits, Min./Max.

D 10/450 "H₂O (2.5/112.5 KPA)²

F 12.6/450 psi (87/3100 KPA)²

Output

B 4-20 mAdc with HART Protocol^{1,2}

C 4-20 mAdc with HART Protocol & Integral Transient Suppressor

Body Parts

	<u>High Side Dia/Wetted</u>	<u>Low Side Dia/Wetted</u>	<u>Extension Length</u>	<u>High Side Dia/Wetted</u>	<u>Low Side Dia/Wetted</u>	<u>Extension Length</u>
A0 316SS		Hastelloy C-276/316SS	Flush Mount ^{1,2}	H0 Hastelloy C-276	Remote Seal	Flush Mount
A2 316SS		Hastelloy C-276/316SS	2" ¹⁵	H2 Hastelloy C-276	Remote Seal	2" ¹⁵
A4 316SS		Hastelloy C-276/316SS	4" ¹⁵	H4 Hastelloy C-276	Remote Seal	4" ¹⁵
A6 316SS		Hastelloy C-276/316SS	6" ¹⁵	H6 Hastelloy C-276	Remote Seal	6" ¹⁵
B0 Hastelloy C-276		Hastelloy C-276/316SS	Flush Mount	J0 Monel	Remote Seal	Flush Mount
B2 Hastelloy C-276		Hastelloy C-276/316SS	2" ¹⁵	J2 Monel	Remote Seal	2" ¹⁵
B4 Hastelloy C-276		Hastelloy C-276/316SS	4" ¹⁵	J4 Monel	Remote Seal	4" ¹⁵
B6 Hastelloy C-276		Hastelloy C-276/316SS	6" ¹⁵	J6 Monel	Remote Seal	6" ¹⁵
C0 Monel		Hastelloy C-276/316SS	Flush Mount	K0 Tantalum	Remote Seal	Flush Mount
C2 Monel		Hastelloy C-276/316SS	2" ¹⁵	N0 Hastelloy C-276	Hastelloy C-276	Flush Mount
C4 Monel		Hastelloy C-276/316SS	4" ¹⁵	N2 Hastelloy C-276	Hastelloy C-276	2" ¹⁵
C6 Monel		Hastelloy C-276/316SS	6" ¹⁵	N4 Hastelloy C-276	Hastelloy C-276	4" ¹⁵
D0 Tantalum		Hastelloy C-276/316SS	Flush Mount	N6 Hastelloy C-276	Hastelloy C-276	6" ¹⁵
G0 316SS		Remote Seal	Flush Mount	Q0 Monel	Hastelloy C-276	Flush Mount
G2 316SS		Remote Seal	2" ¹⁵	Q2 Monel	Hastelloy C-276	2" ¹⁵
G4 316SS		Remote Seal	4" ¹⁵	Q4 Monel	Hastelloy C-276	4" ¹⁵
G6 316SS		Remote Seal	6" ¹⁵	Q6 Monel	Hastelloy C-276	6" ¹⁵
				R0 Tantalum	Hastelloy C-276	Flush Mount

Mounting Flange

	<u>Size</u>	<u>Rating</u>	<u>Material</u>	<u>Size</u>	<u>Rating</u>	<u>Material</u>	<u>Size</u>	<u>Rating</u>	<u>Material</u>
A	2"	150#	CS	J 3"	150#	SS ²	S 100mm	10/16 Bar	CS
B	2"	300#	CS	K 3"	300#	SS	T 100mm	25/40 Bar	CS
C	3"	150#	CS ²	L 4"	150#	SS	U 50mm	10/16 Bar	SS
D	3"	300#	CS	M 4"	300#	SS	V 50mm	25/40 Bar	SS
E	4"	150#	CS	N 50mm	10/16 Bar	CS	W 80mm	10/16 Bar	SS
F	4"	300#	CS	P 50mm	25/40 Bar	CS	X 80mm	25/40 Bar	SS
G	2"	150#	SS	Q 80mm	10/16 Bar	CS	Y 100mm	10/16 Bar	SS
H	2"	300#	SS	R 80mm	25/40 Bar	CS	Z 100mm	25/40 Bar	SS

Fill Fluid

	<u>High Side</u>	<u>Low Side</u>
B	Silicone DC200	Silicone DC200 ^{1,2}
C	Fluorolube	Inert
D	NEOBEE	Paratherm
E	Silicone DC550	Silicone DC200
F	Silicone DC704	Silicone DC200
G	Syltherm 800	Silicone DC200

Output Indicator

5 4-1/2 Digit Digital Smart Display²

N Not Required

Standard Options

- D B7M Bolts³
- E B8M Bolts¹⁷
- X Oxygen Cleaned¹⁹
- Y Special Features⁴
- N Not Required²

Mounting Bracket

N Not Required

Housing

- 1 Aluminum 1/2" - 14 NPT^{1,2}
- 2 Aluminum M20 x 1.5⁶
- 3 316 SS 1/2" - 14 NPT
- 4 316 SS M20-1.5⁶

Hazardous Area Classification

- 2 CSA/CRN
- 3 FM/CSA All^{1,2}
- N Non-Approved
- W FM/CSA All & ABS¹⁸ Type Approval

330FD B A0 C B 5 N N 1 3 *Sample Model Number*

See notes on previous page.

Gauge Pressure Flush Mounted

330P Flush-Mount Gauge Pressure Transmitter

Input Range: Span Limits Min/Max

D 1/30 psig

F 10/150 psig

Output

B 4-20 mA_{dc} with HART Protocol

C 4-20 mA_{dc} with HART Protocol & Integral Transient Suppressor

Process Diaphragm

H Hastelloy-C276

Body Parts

	<u>Wetted</u>	<u>Process Connection</u>
AS	316 SS	Threaded, 1.59i Diameter

Fill Fluid

B Silicone DC200¹

C Inert Fill¹

D Paratherm

Output Indicator

5 4 1/2 Digit Smart Display

N Not Required

Standard Options

Y Special Features⁴

N Not Required

Mounting (Includes Gasket or O-Ring)

G 2" 150# 316 Stainless Steel Flange¹

H 2" 300# 316 Stainless Steel Flange¹

J 3" 150# 316 Stainless Steel Flange¹

K 3" 300# 316 Stainless Steel Flange¹

L 4" 150# 316 Stainless Steel Flange¹

M 4" 300# 316 Stainless Steel Flange¹

Housing

1 Aluminum 1/2"-14 NPT^{1,2}

2 Aluminum M20 X 1.5³

3 316 SS 1/2"-NPT

4 316 SS M 20 X 1.5³

Hazardous Area Classifications

3 FM/CSA All (Standard on All Ranges)

N Non-Approved

330P D B H AS B N N G 1 3 Sample Model Number

Notes

(1) AS Threaded Body Only

(3) Not available with FM/CSA Approval

(4) Please describe modification or provide a quotation reference number



Differential Pressure

340D Differential Pressure Transmitter-Controller

Input Range: Span Limits, Min/Max

- A 0.2/5 "H₂O (0.05/1.25 KPA)¹⁰ (Remote seals not available with this range.)
- B 0.75/15 "H₂O (0.185/3.7 KPA)² (Matched remote seals only with this range.)
- D 10/450 "H₂O (2.5/112.5 KPA)²
- F 12.6/450 psi (87/3100 KPA)²

Output

- B 4-20 mA_{dc} with HART Protocol^{1,2}
- C 4-20 mA_{dc} with HART Protocol & Integral Transient Suppressor
- D Spare Capsule

Process Diaphragm

- H Hastelloy C-276^{2,3,8,11}
- S 316L SS^{2,7}
- A Hastelloy C-276 with 2 Remote Seals^{9,11}
- B Hastelloy C-276 with 1 Remote Seal on high side^{9,12}
- C Hastelloy C-276 with 1 Remote Seal on low side^{9,12}

Body Parts

	Wetted	Vent/Drain	Process Conn.
AA	316SS	End	1/2 NPT ^{1,2}
AB	316SS	Side (top)	1/2 NPT
AC	316SS	Side (bottom)	1/2 NPT
AD	316SS	Side (dual)	1/2 NPT
AE	316SS	End	1/4 NPT
AF	316SS	Side (top)	1/4 NPT
AG	316SS	Side (bottom)	1/4 NPT
AH	316SS	Side (dual)	1/4 NPT
BA	Hastelloy C-276	End	1/2 NPT
BB	Hastelloy C-276	Side (top)	1/2 NPT
BC	Hastelloy C-276	Side (bottom)	1/2 NPT
BD	Hastelloy C-276	Side (dual)	1/2 NPT
BE	Hastelloy C-276	End	1/4 NPT
BF	Hastelloy C-276	Side (top)	1/4 NPT
BG	Hastelloy C-276	Side (bottom)	1/4 NPT
BH	Hastelloy C-276	Side (dual)	1/4 NPT
RR	Remote Seals		

Fill Fluid

- B Silicone DC200^{1,2}
- C Inert¹¹
- D Paratherm¹¹

Output Indicator

- 5 4-1/2 Digit Digital SmartDisplay²
- N Not Required⁵

Standard Options

- D B7M Bolts³
- E B8M Bolts¹⁷
- X Oxygen Cleaned¹⁹
- Y Special Features⁴
- N Not Required^{2,5}

Mounting Bracket

- 1 2" Pipe Mount Bracket with SS Hardware²
- 2 Universal Bracket
- 3 2" Pipe Mount 316SS Bracket
- N Not Required⁵

Housing

- 1 Aluminum 1/2" - 14 NPT^{1,2}
- 2 Aluminum M20 x 1.5⁶
- 3 316 SS 1/2" - 14 NPT
- 4 316 SS M20 x 1.5⁶
- N Not Required⁵

Hazardous Area Classification

- 2 CSA/CRN
- 3 FM/CSA All^{1,2}
- N Non-Approved
- W FM/CSA All & ABS¹⁸ Type Approval

NOTES:

- (1) Standard for all ranges.
- (2) Stock Model Selection.
- (3) NACE MR0175 compliance requires this option.
- (4) Please describe the modification or provide a quotation reference number.
- (5) Required selection for OUTPUT option "D", direct connection to the MycroSENSOR 348.
- (6) Not available with FM/CSA approvals.
- (7) Standard on Input Ranges A & B.
- (8) Standard on Input Ranges D & F.
- (9) Must specify Body Parts code "RR".
- (10) Must select Body Parts "AA".
- (11) Not available with Input Range "A".
- (12) Not available with Input Range "A" or "B".
- (13) Available with Body Parts "TD" or "TE" only.
- (14) CENELEC EExd & SAA units are only available with OUTPUT code "B".
- (15) 2"
- (16) 3" and 4" flanges with an extension will fit into Schedule 80 and larger i.d. pipes.
- (17) B8M (316SS) bolting may have a reduced pressure rating. Consult MycroSENSOR for information.
- (18) ABS - American Bureau of Shipping
- (19) Oxygen Cleaned Option requires Inert Fill Fluid

340D D B H AA B 5 N 1 1 3 Sample Model Number

Flanged Level

340F Flanged Level Transmitter-Controller

Input Range: Span Limits, Min./Max.

D 10/450 "H₂O (2.5/112.5 KPA)²

F 12.6/450 psi (87/3100 KPA)²

Output

B 4-20 mAdc with HART Protocol^{1,2}

C 4-20 mAdc with HART Protocol & Integral Transient Suppressor

Body Parts

	<u>High Side Dia/Wetted</u>	<u>Low Side Dia/Wetted</u>	<u>Extension Length</u>	<u>High Side Dia/Wetted</u>	<u>Low Side Dia/Wetted</u>	<u>Extension Length</u>
A0 316SS		Hastelloy C-276/316SS	Flush Mount ^{1,2}	H0 Hastelloy C-276	Remote Seal	Flush Mount
A2 316SS		Hastelloy C-276/316SS	2" ¹⁵	H2 Hastelloy C-276	Remote Seal	2" ¹⁵
A4 316SS		Hastelloy C-276/316SS	4" ¹⁵	H4 Hastelloy C-276	Remote Seal	4" ¹⁵
A6 316SS		Hastelloy C-276/316SS	6" ¹⁵	H6 Hastelloy C-276	Remote Seal	6" ¹⁵
B0 Hastelloy C-276		Hastelloy C-276/316SS	Flush Mount	J0 Monel	Remote Seal	Flush Mount
B2 Hastelloy C-276		Hastelloy C-276/316SS	2" ¹⁵	J2 Monel	Remote Seal	2" ¹⁵
B4 Hastelloy C-276		Hastelloy C-276/316SS	4" ¹⁵	J4 Monel	Remote Seal	4" ¹⁵
B6 Hastelloy C-276		Hastelloy C-276/316SS	6" ¹⁵	J6 Monel	Remote Seal	6" ¹⁵
C0 Monel		Hastelloy C-276/316SS	Flush Mount	K0 Tantalum	Remote Seal	Flush Mount
C2 Monel		Hastelloy C-276/316SS	2" ¹⁵	N0 Hastelloy C-276	Hastelloy C-276	Flush Mount
C4 Monel		Hastelloy C-276/316SS	4" ¹⁵	N2 Hastelloy C-276	Hastelloy C-276	2" ¹⁵
C6 Monel		Hastelloy C-276/316SS	6" ¹⁵	N4 Hastelloy C-276	Hastelloy C-276	4" ¹⁵
D0 Tantalum		Hastelloy C-276/316SS	Flush Mount	N6 Hastelloy C-276	Hastelloy C-276	6" ¹⁵
G0 316SS		Remote Seal	Flush Mount	Q0 Monel	Hastelloy C-276	Flush Mount
G2 316SS		Remote Seal	2" ¹⁵	Q2 Monel	Hastelloy C-276	2" ¹⁵
G4 316SS		Remote Seal	4" ¹⁵	Q4 Monel	Hastelloy C-276	4" ¹⁵
G6 316SS		Remote Seal	6" ¹⁵	Q6 Monel	Hastelloy C-276	6" ¹⁵
				R0 Tantalum	Hastelloy C-276	Flush Mount

Mounting Flange

	<u>Size</u>	<u>Rating</u>	<u>Material</u>	<u>Size</u>	<u>Rating</u>	<u>Material</u>	<u>Size</u>	<u>Rating</u>	<u>Material</u>
A	2"	150#	CS	J 3"	150#	SS ²	S 100mm	10/16 Bar	CS
B	2"	300#	CS	K 3"	300#	SS	T 100mm	25/40 Bar	CS
C	3"	150#	CS ²	L 4"	150#	SS	U 50mm	10/16 Bar	SS
D	3"	300#	CS	M 4"	300#	SS	V 50mm	25/40 Bar	SS
E	4"	150#	CS	N 50mm	10/16 Bar	CS	W 80mm	10/16 Bar	SS
F	4"	300#	CS	P 50mm	25/40 Bar	CS	X 80mm	25/40 Bar	SS
G	2"	150#	SS	Q 80mm	10/16 Bar	CS	Y 100mm	10/16 Bar	SS
H	2"	300#	SS	R 80mm	25/40 Bar	CS	Z 100mm	25/40 Bar	SS

Fill Fluid

	<u>High Side</u>	<u>Low Side</u>
B	Silicone DC200	Silicone DC200 ^{1,2}
C	Fluorolube	Inert
D	NEOBEE	Paratherm
E	Silicone DC550	Silicone DC200
F	Silicone DC704	Silicone DC200
G	Syltherm 800	Silicone DC200

Output Indicator

5 4-1/2 Digit Digital Smart Display²

N Not Required

Standard Options

D B7M Bolts³
 E B8M Bolts¹⁷
 X Oxygen Cleaned¹⁹
 Y Special Features⁴
 N Not Required²

Mounting Bracket

N Not Required

Housing

1 Aluminum 1/2" - 14 NPT^{1,2}
 2 Aluminum M20 x 1.5⁶
 3 316 SS 1/2" - 14 NPT
 4 316 SS M20-1.5⁶

Hazardous Area Classification

2 CSA/CRN
 3 FM/CSA AII^{1,2}
 N Non-Approved
 W FM/CSA AII & ABS¹⁸ Type Approval

340FD B A0 C B 5 N N 1 3 Sample Model Number

See notes on previous page.

Gauge Pressure Flush Mounted

340P Flush-Mount Gauge Pressure Transmitter-Controller

Input Range: Span Limits Min/Max

D 1/30 psig

F 10/150 psig

Output

B 4-20 mA_{dc} with HART Protocol

C 4-20 mA_{dc} with HART Protocol & Integral Transient Suppressor

Process Diaphragm

H Hastelloy-C276

Body Parts

	<u>Wetted</u>	<u>Process Connection</u>
AS	316 SS	Threaded, 1.59i Diameter

Fill Fluid

B Silicone DC200¹

C Inert Fill¹

D Paratherm

Output Indicator

5 4 1/2 Digit Smart Display

N Not Required

Standard Options

Y Special Features⁴

N Not Required

Mounting (Includes Gasket or O-Ring)

G 2" 150# 316 Stainless Steel Flange¹

H 2" 300# 316 Stainless Steel Flange¹

J 3" 150# 316 Stainless Steel Flange¹

K 3" 300# 316 Stainless Steel Flange¹

L 4" 150# 316 Stainless Steel Flange¹

M 4" 300# 316 Stainless Steel Flange¹

Housing

1 Aluminum 1/2"-14 NPT^{1,2}

2 Aluminum M20 X 1.5³

3 316 SS 1/2"-NPT

4 316 SS M 20 X 1.5³

Hazardous Area Classifications

3 FM/CSA All (Standard on All Ranges)

N Non-Approved

340P D B H AS B N N G 1 3 Sample Model Number

Notes

(1) AS Threaded Body Only

(3) Not available with FM/CSA Approval

(4) Please describe modification or provide a quotation reference number



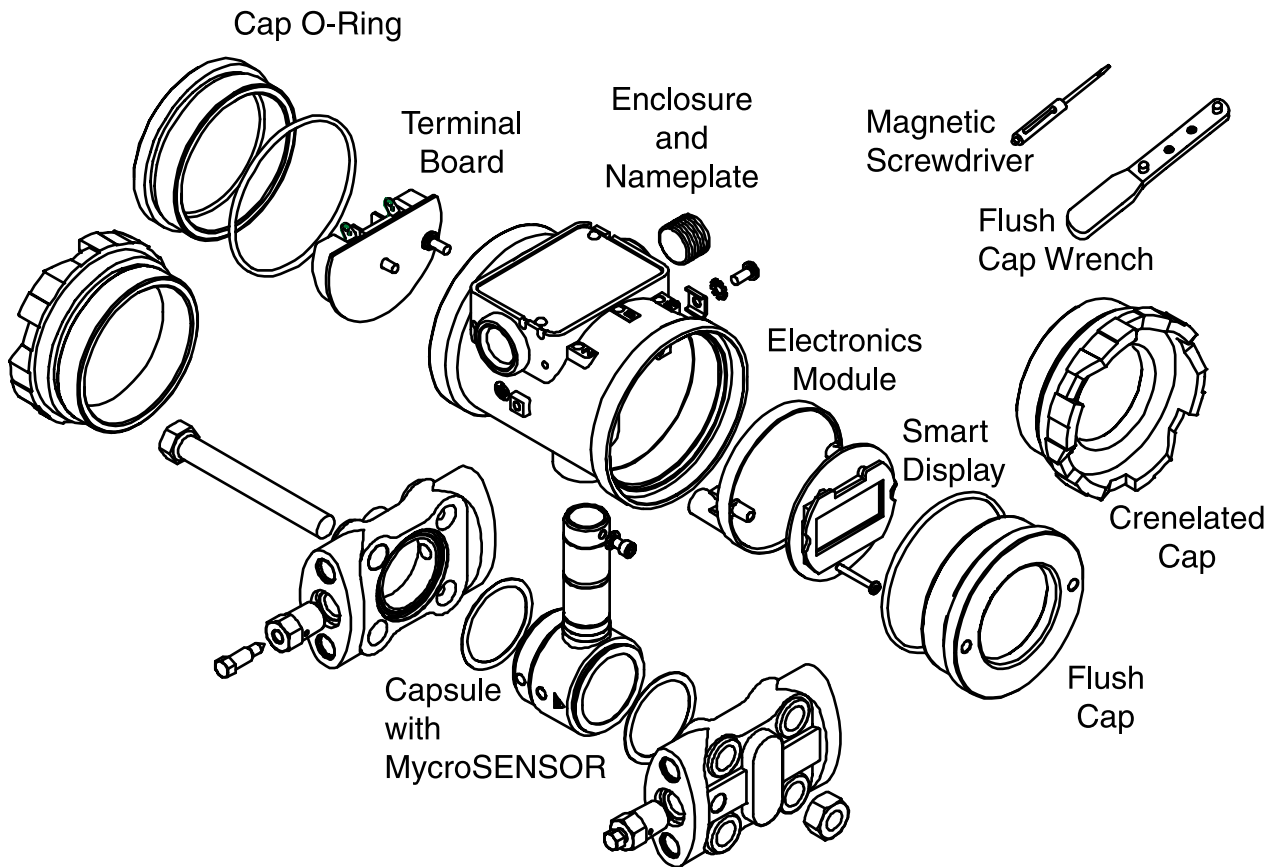
MODEL DIFFERENCES & MODIFICATIONS

If no range is selected, the instrument will be calibrated as follows:

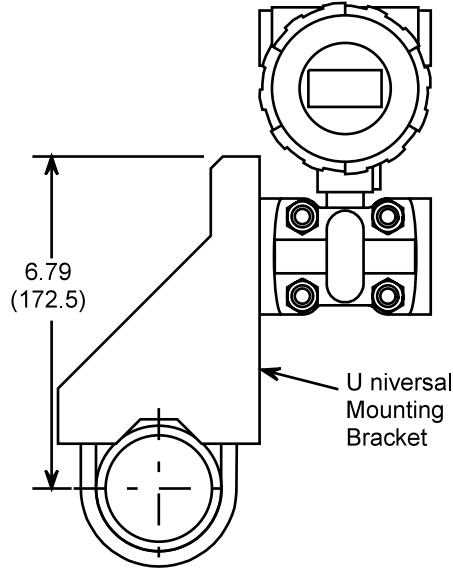
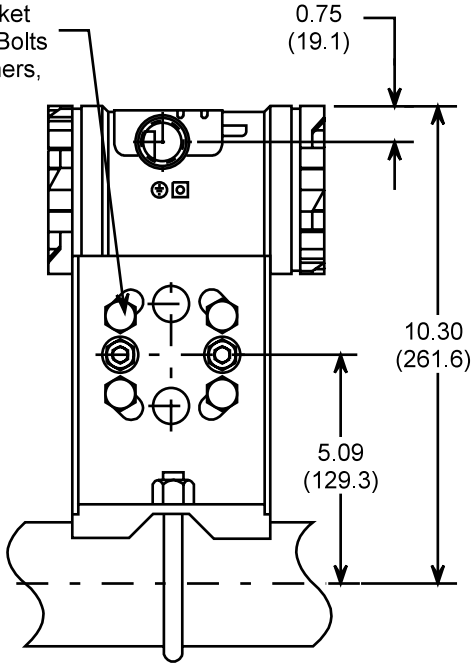
Range Code	Default Calibration
A	-0.5 to 0.5 H ₂ O
B	0 to 10" H ₂ O
D	0 to 100 "H ₂ O (or "H ₂ O abs)
F	0 to 100 PSI (or PSIA)

Common modifications can be specified by selecting a Y in the Special Features category and describing the modification. **Always consult your salesperson before ordering a modification.**

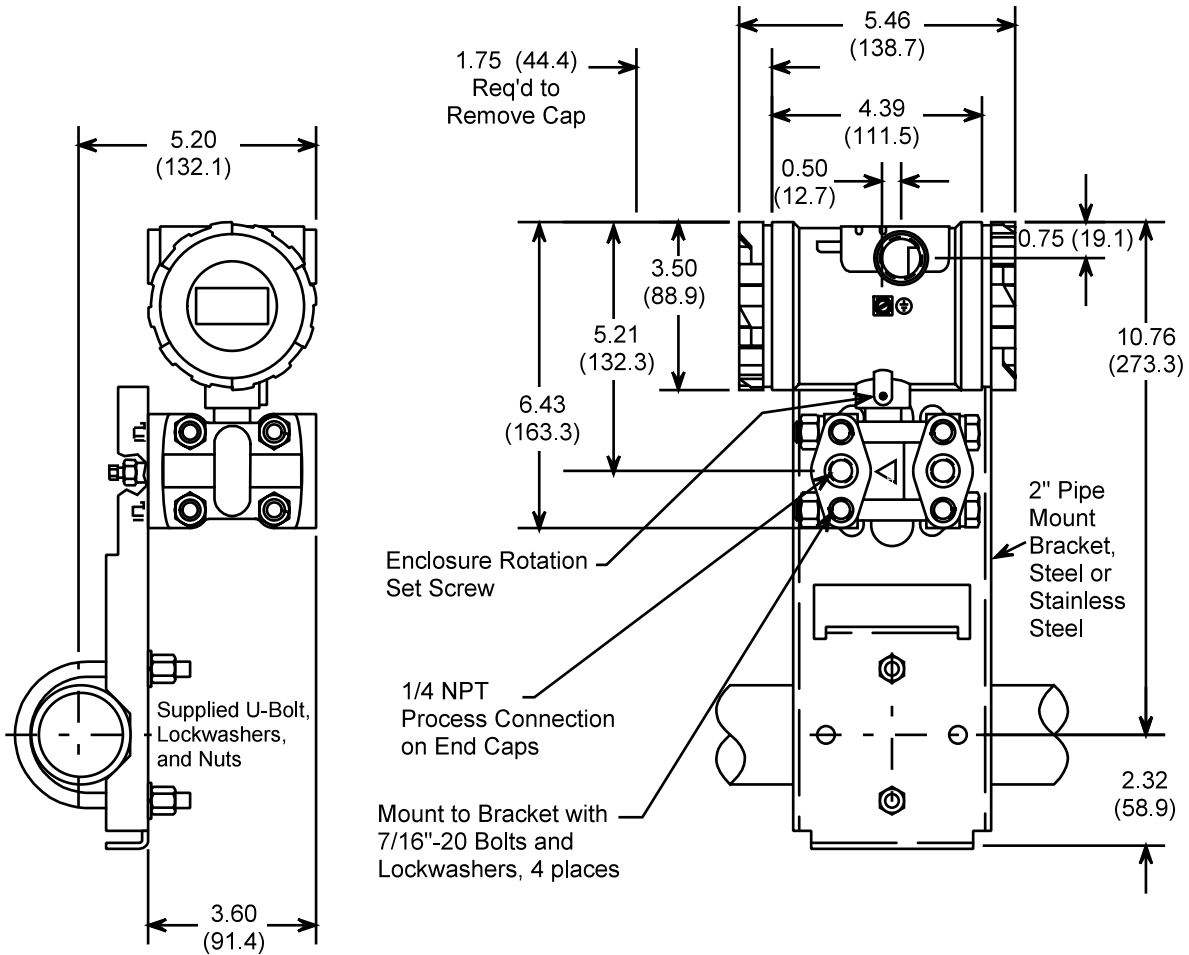
TRANSMITTER COMPONENTS



Mount to Bracket
with 7/16"-20 Bolts
and Lockwashers,
4 places



U-niversal
Mounting
Bracket



Dimensions are in inches (millimeters).

Model 330D & 340D

